

# NorSap 1000

*When in need of comfortable seating in high waters or at high speed, the NorSap 1000 with suspension base is a natural choice. Article No.: 602850*



*The chair is height and tilt adjustable and has a release bar for forward / aft adjustment.*

*The chair's finishing is black powder coating combined with black leather seating.*

*The chair can be equipped with seat belts, two or four points, and casing for controlling equipment in the armrest.*



**norsap.com**

– With 2 point seat belt  
Belt art. No.: 6461

– With 4 point seat belt  
Belt art. No.: 6460

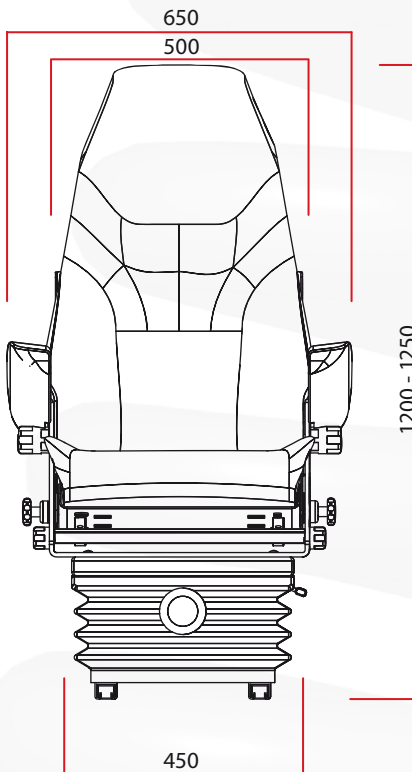


## Functions

- Back rest angle adjustment
- Arm rest angle adjustments
- Seat rest angle adjustment
- Weight adjustment
- Horizontal chair adjustment
- Seat frame angle adjustment
- Seat rest and arm rests can be tilted to an upwards position.

## Optional

- Seat fabric and colour alternatives. <http://norsap.com/upholstery>
- Armrest equipment. <http://norsap.com/extras>



## Dimensions

Seating height	410 mm - 460 mm
Travel distance	200 mm in 10 mm increments
Weight	68 Kg
User Weight Adjustment	80 - 150 Kg
Total height	1200 - 1250 +/- mm

## Contact

**NorSap AS** - Mjåvannsveien 35 - 4628 Kristiansand - Norway  
Tel +47 38 18 52 00 / Fax +47 38 18 20 86

To find your nearest dealer, please visit <http://norsap.com/dealers>

