

Users Manual **NorSap 1500**

January 27, 2011 12:38 PM

This user manual contains the following models:

6400 - NorSap 1500 Standard H=800
6405 - NorSap 1500 Standard no foot rest H=410
6500 - NorSap 1500 Comfort 725-920 B1
6510 - NorSap 1500 Comfort 665-800 B2
6517 - NorSap 1500 Comfort no foot rest 530-660
6520 - NorSap 1500 Comfort 630-725 B3

6410 - NorSap 1500 Office Standard H=800
6411 - NorSap 1500 Office Standard no foot rest
6525 - NorSap 1500 Office Comfort 650-750
6530 - NorSap 1500 Office Comfort 675-810
6535 - NorSap 1500 Office Comfort 745-940

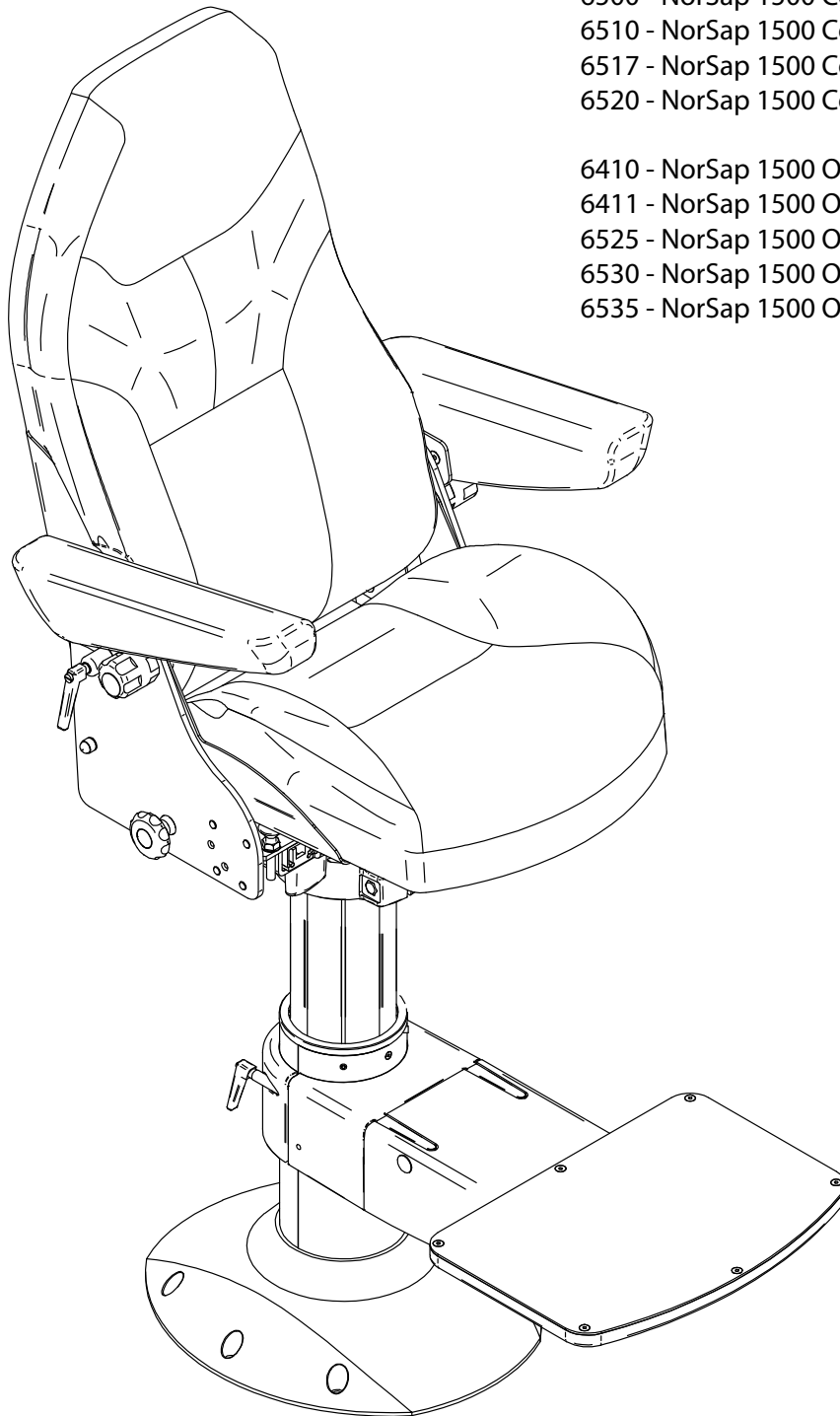


Table of contents

Introduction	2
Functions of the NorSap 1500 chair	3
Replacing seat pillows	4
Replacing armrests	4
Securing additional seat cover	5
Care and maintenance of leather	5
Care and maintenance of fabric	5
Mounting holes measurements	6
Mounting on a deck rail	6
Cabling of extra equipment in armrests	7
Detailed Part lists	8
R-0010 NorSap1500 seat top part list	8
DEL-2020 - Square top	9
Columns for NorSap 1500 series	10
Foot rest	11
Maintenance of moving parts	12
Safety	12
Shipping and storage specifications	12

Introduction

Congratulations with your purchase of a NorSap chair and thank you for your confidence in our company products. NorSap is among the leading producers of helmsmen and operator seats for the maritime market.

This manual will assist you in making the best use of the functional capabilities of the NorSap chair and will ensure you will quickly become familiar with its use. If you have any questions regarding the safe and effective operation of your NorSap chair or accessories after reading this manual, immediately contact our head office marketing department for further assistance.

NorSap AS

Mjåvannsveien 35
NO-4626 Kristiansand
NORWAY

Telephone

+47 38 18 52 00

Telefax

+47 38 18 20 86

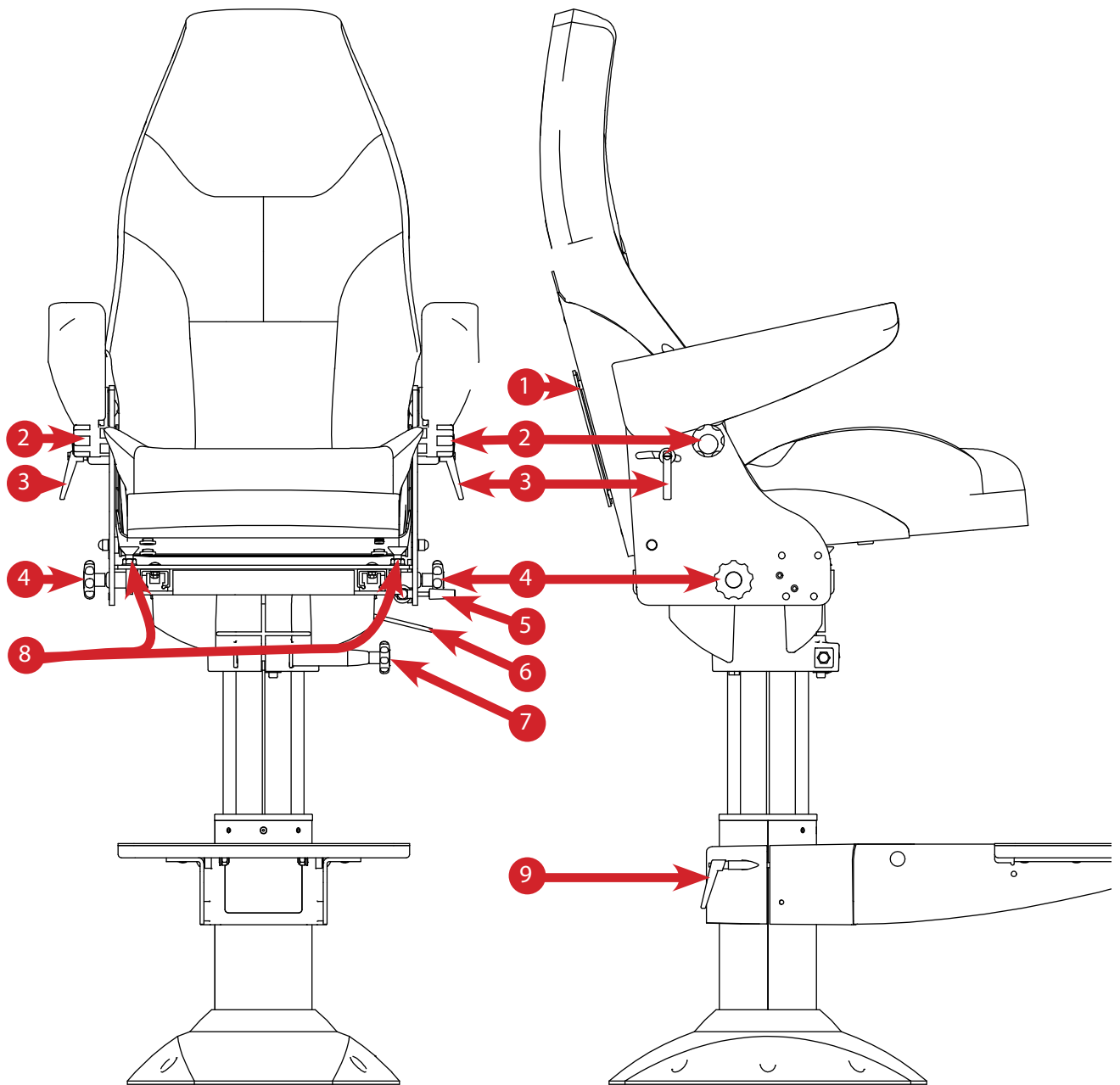
E-mail

sale@norsap.com

Web

norsap.com

Functions of the NorSap 1500 chair



1. Packing net on backside of chair (This document should be stored here)
2. Eccentric adjustment of armrest angle (Armrests can be tilted to an upright position)
3. Back rest adjustment release/tighteners
4. Seat forward/aft adjustment
5. Back rest adjustment gas strut release
6. Column height adjustment gas strut release (Not applicable in all models)
7. Swivel/turn release of chair top
8. Seat angle adjustment (Seat can be tilted to an upright position)
9. Foot rest height adjustment release (Foot rest can be tilted to an upright position)

Replacing seat pillows

If your upholstery is damaged or worn, its recommended to replace the whole part.
To re-fit new leather (or other fabric) on existing cushions is not recommended.

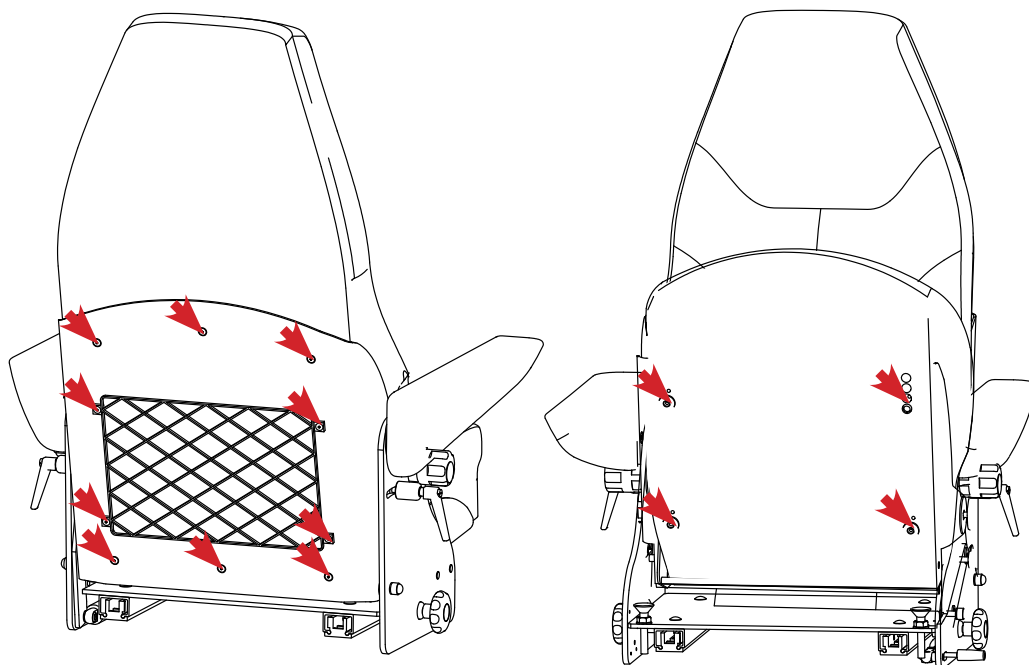
If the chair is intended to be used under extreme conditions, an additional seat cover is advised.
This comes in two different materials, water repellent and fabric.

Item Name Item No.

Seat cover in fabric	6470
Seat cover in water repellent	6451

To replace the back rest cushion, unscrew the 10 marked wood-screws on the illustration below.
Replace the cushion with the new one, re-mount the cushion with the wood-screws.

To replace the seat rest cushion, flip up the seat and unscrew the 4 marked wood-screws on the illustration below. Replace the cushion with the new one, re-mount the cushion with the wood-screws.



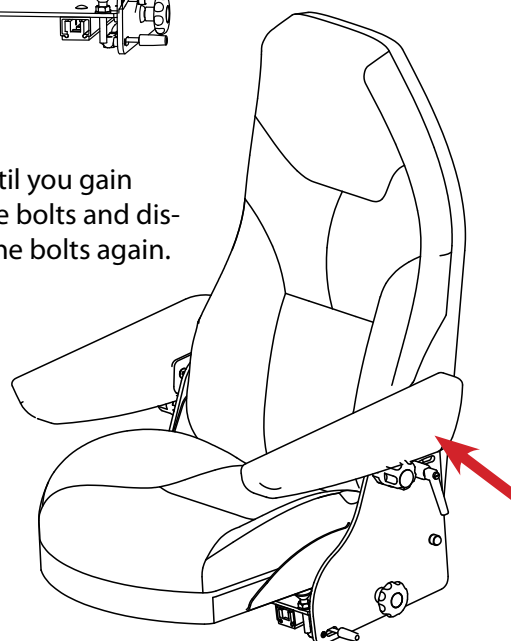
Replacing armrests

To replace the armrest, unzip the arm rest cover and fold it up until you gain access to the two bolts holding the armrest in place. Unscrew the bolts and dismount the old armrest then place the new armrest and tighten the bolts again.

Item Name Item No.

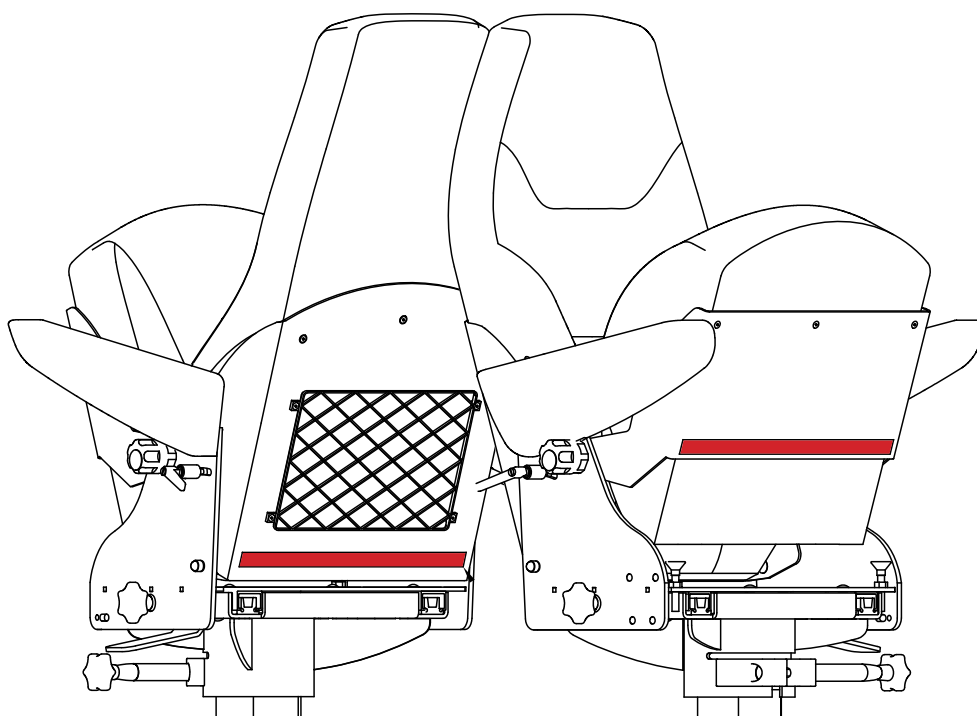
NorSap 1500 Armrest in black leather Left	6471V
NorSap 1500 Armrest in black leather Right	6471H

NorSap 1500 Armrest cover in fabric (set)	6472
NorSap 1500 Armrest cover in leather (set)	6473



Securing additional seat cover

To secure seat cover, place Velcro tape on the lower back rest and underneath the seat as illustrated below.



Care and maintenance of leather

Most leather qualities have originally received one or another type of surface protection treatment. When the furniture is taken in use, grease from hand and neck will be in contact with the leather on a regular basis. Without proper cleaning the leather will over a period of time leave grease spots or discoloration's. To avoid this clean with Soft Cleaner on a regular basis, we advise once a month. Use Leather Protection Cream or a leather cream with impregnation 2-4 times a year. This will protect against spots, increase wear resistance and preserve the leathers softness. By following these instructions you will ensure a long and lasting leather quality.

Avoid direct sunlight over a longer period of time.
Do not place a heat source within a distance of 20-30 cm.
Remove dust or vacuum, use Soft Cleaner once a month.

Contact us or an authorized leather producer or furniture dealer for more cleaning medium or for further cleaning details.

Preferred supplier of cleaning medium is: Leather Master AS - 6220 Straumgjerde - NORWAY -
Tel +47 70 25 35 50 - Fax +47 70 25 35 58 - www.leathermaster.no - service@leathermaster.no

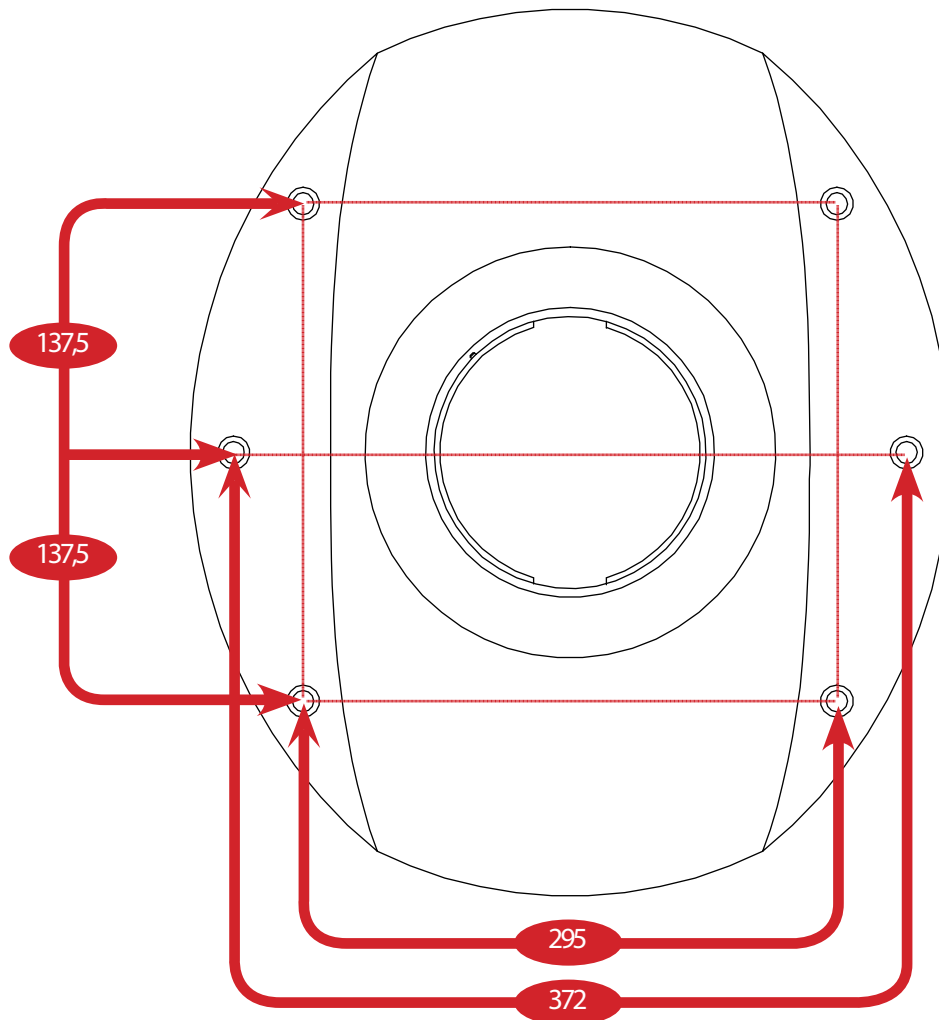
Care and maintenance of fabric

Remove dust or vacuum, use a neutral cleaning agent, such as soapy water when needed.

Mounting holes measurements

A strong and level foundation is required to secure the installation of the base.

It may occur that during storage or transport that the telescope column fastens in the lower position. This can easily be adjusted by fastening the lockable arm for swing, lift up the release handle at the same time pull up the chair. **Use six(6) M-Ø10 bolts to mount the pedestal.**



Mounting on a deck rail

First make sure to have mounted the deck rail according to its user manual.

The bolts for mounting the chair to the deck rail is already in place on the carrier wagon.

- If you have an electrical deck rail and the cabling of the switch is done by quick-connections already implemented in the chairs column.
- If you have a manual deck rail with release from seated position, the mounting of the release lever is shown in the deck rails user manual.
- If you have a basic deck rail, the wiring and mounting of the release lever is shown in the deck rails user manual.

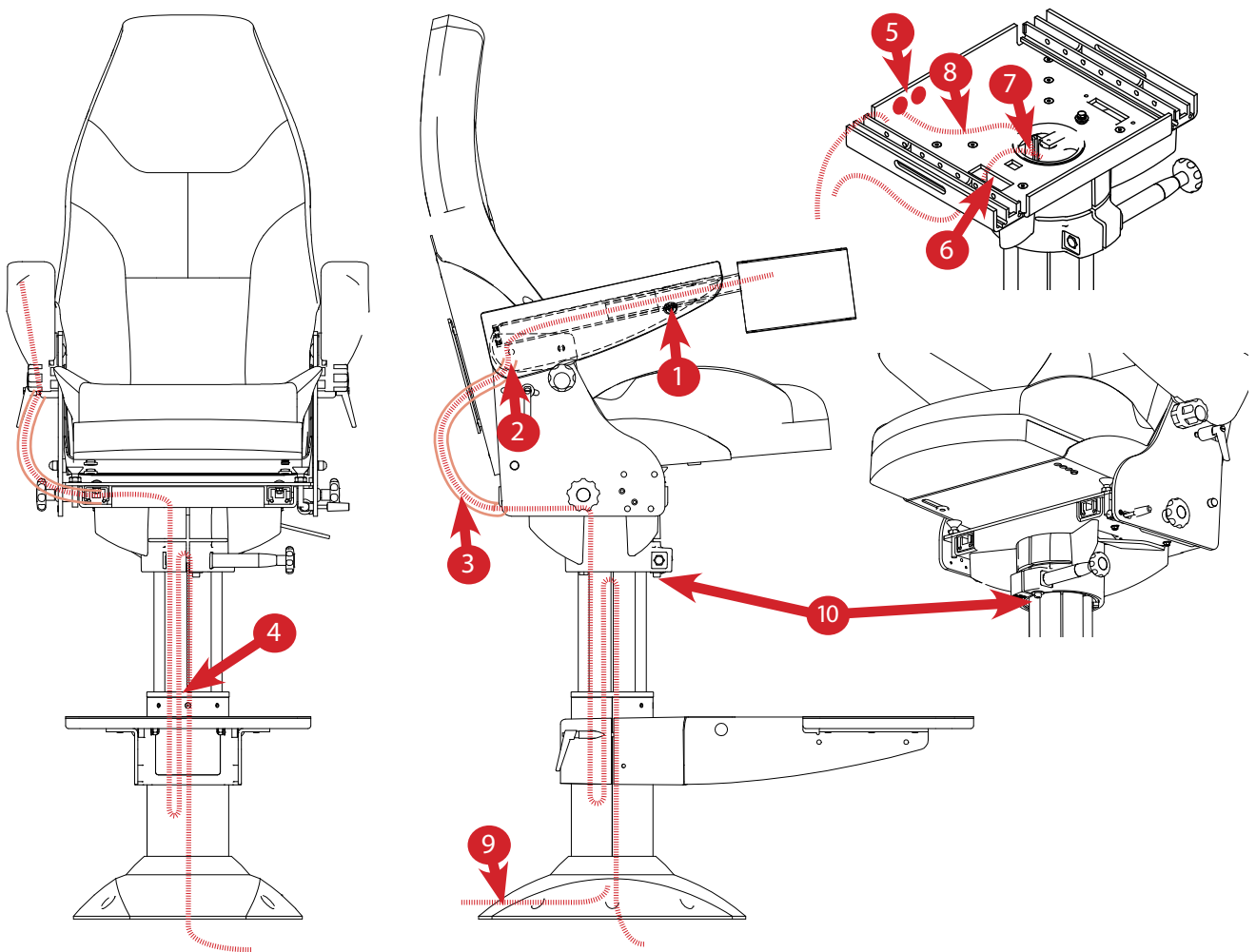


Cabling of extra equipment in armrests

The diagram below shows how to cable the wires thru the chair and column.

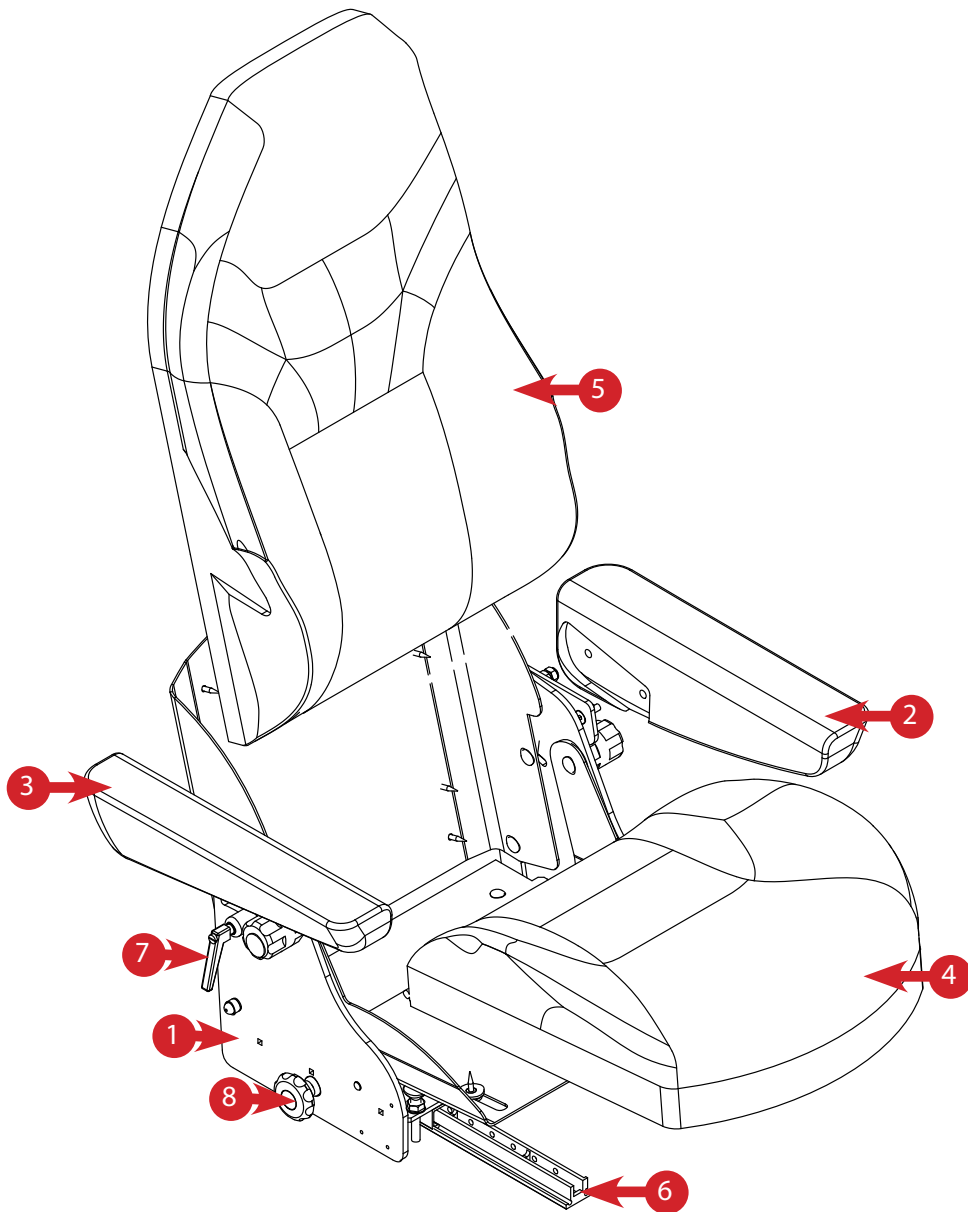
Receiving the chair prepped for additional equipment in the armrests, the wiring of your equipment should follow these steps.

1. Release the hand wheel (**pos 1**) holding the equipment holder in place.
2. Mount your equipment, making sure the cable is going thru the pipe.
3. Pull the cables out from underneath the arm rest (**pos 2**), open the zipper to gain access.
4. Use a flexible cable channel (**pos 3**) to secure the cables going from the armrest all the way to the column top. Leave enough play for chair adjustments.
5. Either use existing holes underneath the square top of the column (**pos 6**) or drill new holes corresponding with the size of the cables / cable channel (**pos 5**).
6. Place the cables thru the column top. **Make sure to have enough play of the cables to compensate adjustments of the seat, swivel (see # 10) and height (pos 4).**
7. Find a suitable place to strip tight the cables (**pos 8**).
8. The cable is connected to further wiring solutions from under the pedestal. If mounted on a deck rail, please view the deck rails user manual for further info.
9. If needed, you may drill a hole in the pedestal for extraction of the cable and pull the cables through a designated hole in the lower part of the column. (**pos 9**)
10. To avoid breakage of cables/wires within the column, a 360° swivel restriction needs to be applied. Place an B415-M8x16 bolt (**pos 10**) with a B480-M8 washer.



Detailed Part lists

R-0010 NorSap1500 seat top part list



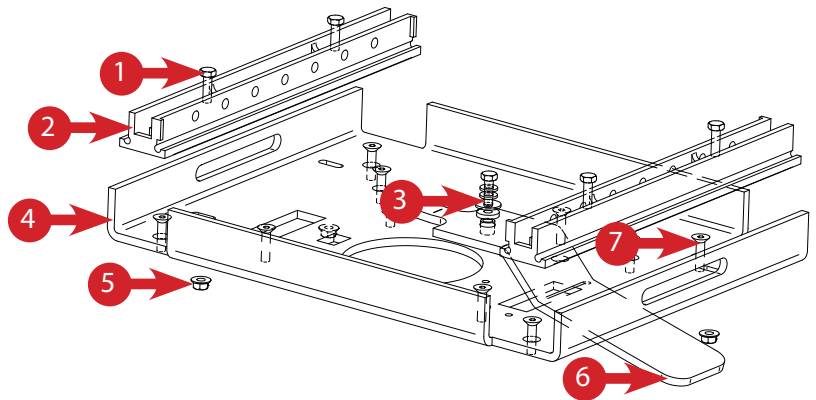
Pos.	Qty	Item Name	Item No.	Rev.	Details
1	1	SEAT FRAME ASSEMBLY FOR NS1500	DEL-094	A-12	page 7
2	1	ARMREST NS1500 LEFT SIDE	DEL-128V		
3	1	ARMREST NS1500 RIGHT SIDE	DEL-128H		
4	1	SEAT REST NS1500	PUTE-002		
5	1	BACK REST NS1500	PUTE-001		
6	2	GLIDE RAIL PLASTIC	MP156	0-4	
7	2	HAND WHEEL FOR BACK REST ADJ.	RATT-004		
8	2	HAND WHEEL FOR SEAT ADJ.	RATT-029		



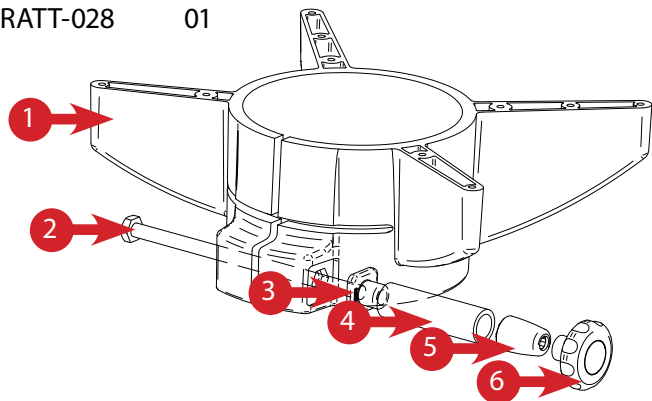
DEL-2020 - Square top

Detailed view of the square top mounted on the column

Pos.	Qty	Item Name	Item No.	Rev.	Details
1	4	Hex machine screw M6x20	B411-M6X20	04	
2	2	Glider PVC	SAP-8042	01	
3	2	Washer M6	B481-M6		
1		Washer L M6	B480-M6		
1		Spacer shell	SAP-0054	01	
1		Washer soft PVC	B783-M6		
4	1	Machined square top	SAP-7007	02	
5	4	Nut 'Selflock' M6	B463-M6		
6	1	Release handle	SAP-0091	02	
7	10	Unbraco countersunk	B420xM6X25		



Pos.	Qty	Item Name	Item No.	Rev.	Details
1	1	Machined column top	SAP-8039	01	
2	1	Hex machine screw M10x220	B310-M10x200	02	
3	1	Cylinder support	SAP-8042	01	
4	1	Spacer shell	SAP-8040	01	
5	1	Shell	MP161	01	
6	1	Hand wheel	RATT-028	01	



Columns for NorSap 1500 series

To find out what model your chair is flip up the seat and view the sticker underneath.

Pos.	Qty	Item Name	Item No.	Rev.	Details
		For article no.: 6520 B3			
1	1	Complete 1500 column H725-630 Replacement gas strut	DEL-1203 GAS-025	01	
		For article no.: 6510 B2			
1	1	Complete 1500 column H800-665 Replacement gas strut	DEL-1200 GAS-002	01	
		For article no.: 6500 B1			
1	1	Complete 1500 column H770-565 Replacement gas strut	DEL-1199 GAS-043	01	
		For article no.: 6400 (not height adjustable)			
		Complete 1500 column Remember to state seating height at order.	DEL-1220	01	

For other parts not specified please contact NorSap.

The five star legged versions of the chairs is identical as the ones with flange except for the article numbers and the base and a slightly different height.

2	5	Foot rest padding	STL-006		
2	1	Wheel set (5) for Office chairs	R-0077		
1		'Twist-lock' Mounting set	R-0073		

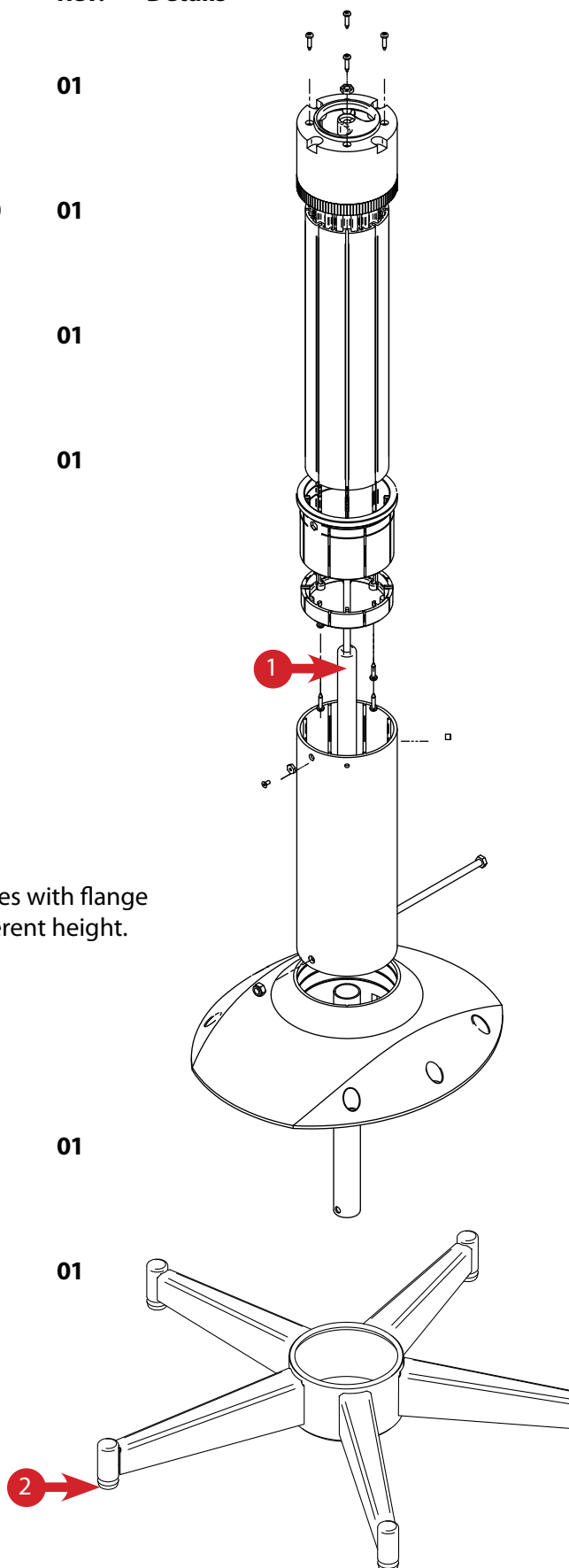
For article no.: 6535 (not height adjustable)
Complete 1500 column
Remember to state seating height at order.

R-0039 **01**

For article no.: 6410 (not height adjustable)
Complete 1500 column
Remember to state seating height at order.

R-0040 **01**

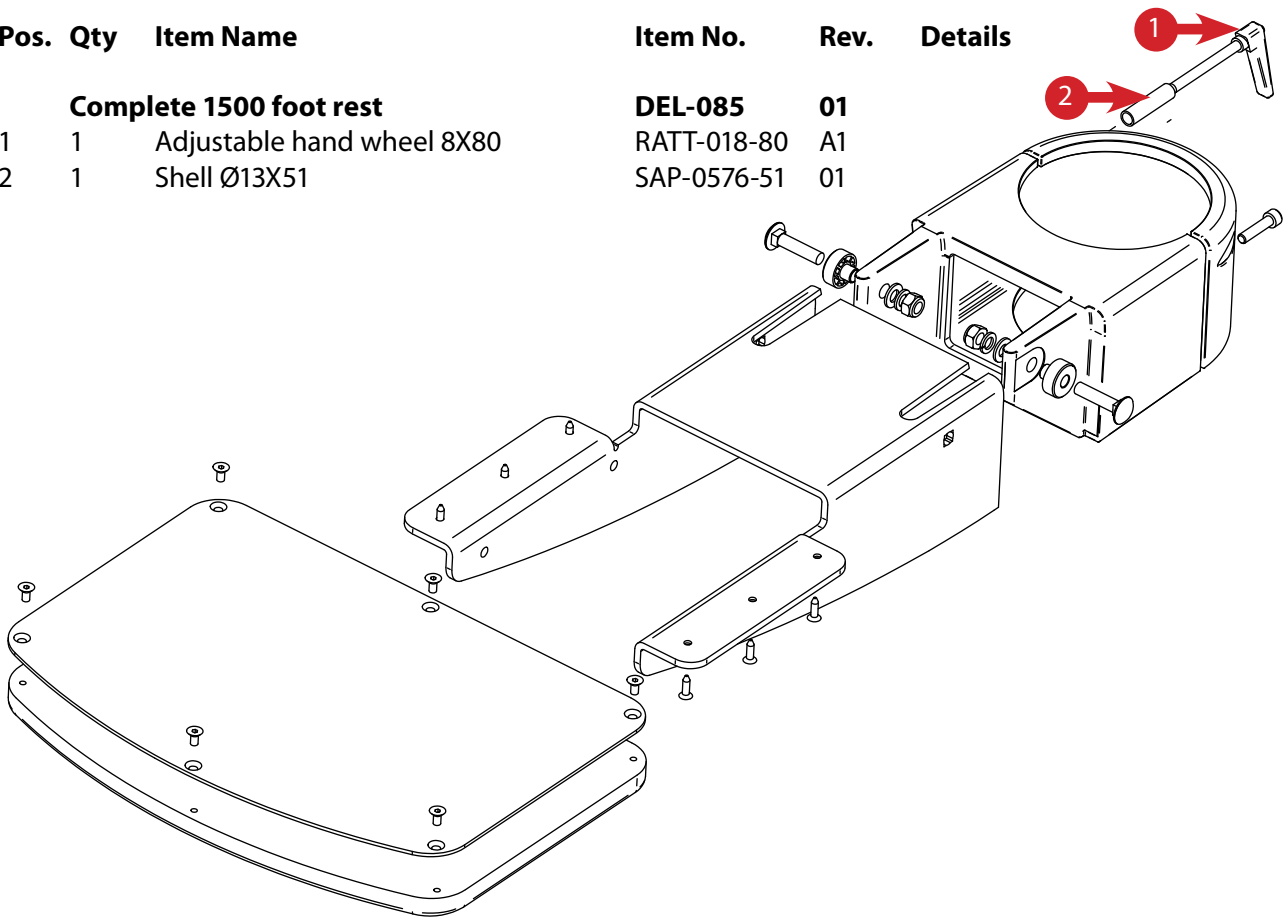
For other parts not specified please contact NorSap.



Foot rest

The NorSap 1500 comes either with or without foot rest.

Pos.	Qty	Item Name	Item No.	Rev.	Details
		Complete 1500 foot rest	DEL-085	01	
1	1	Adjustable hand wheel 8X80	RATT-018-80	A1	
2	1	Shell Ø13X51	SAP-0576-51	01	



Maintenance of moving parts

The glide parts of the chair can be lubricated with a silicone based lubricant.

If the chair is on a deck rail, its important that the deck rails railway is NOT lubricated.

Safety

All moving parts has a potential squeezing hazard. Be sure to keep hands and fingers out of moving parts areas when operating the chair.

Shipping and storage specifications

The chair should be shipped and stored in an upright condition.

No other materials should be shipped or stored on top of a the chair or deck rail.

The chair should be shipped and stored at temperatures between -20°C and +40°C.

The chair should not be operated until its been acclimatized between 0°C and +30°C.

The chair should be kept in a clean, dry environment.

Upon receipt, we recommend that the shipping packaging be immediately examined for damage. Any damage should be noted on the delivery receipt and a request for inspection by the transportation company should be made. The shipping packaging should be opened immediately and the chair or the deck rail examined for concealed shipping damage.

If the chair appears to be damaged, a concealed bad order report should be immediately filed with the transportation company.

