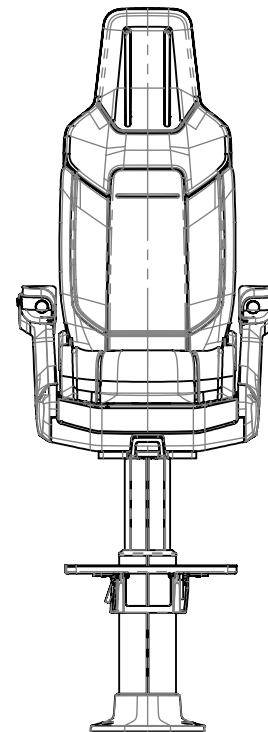
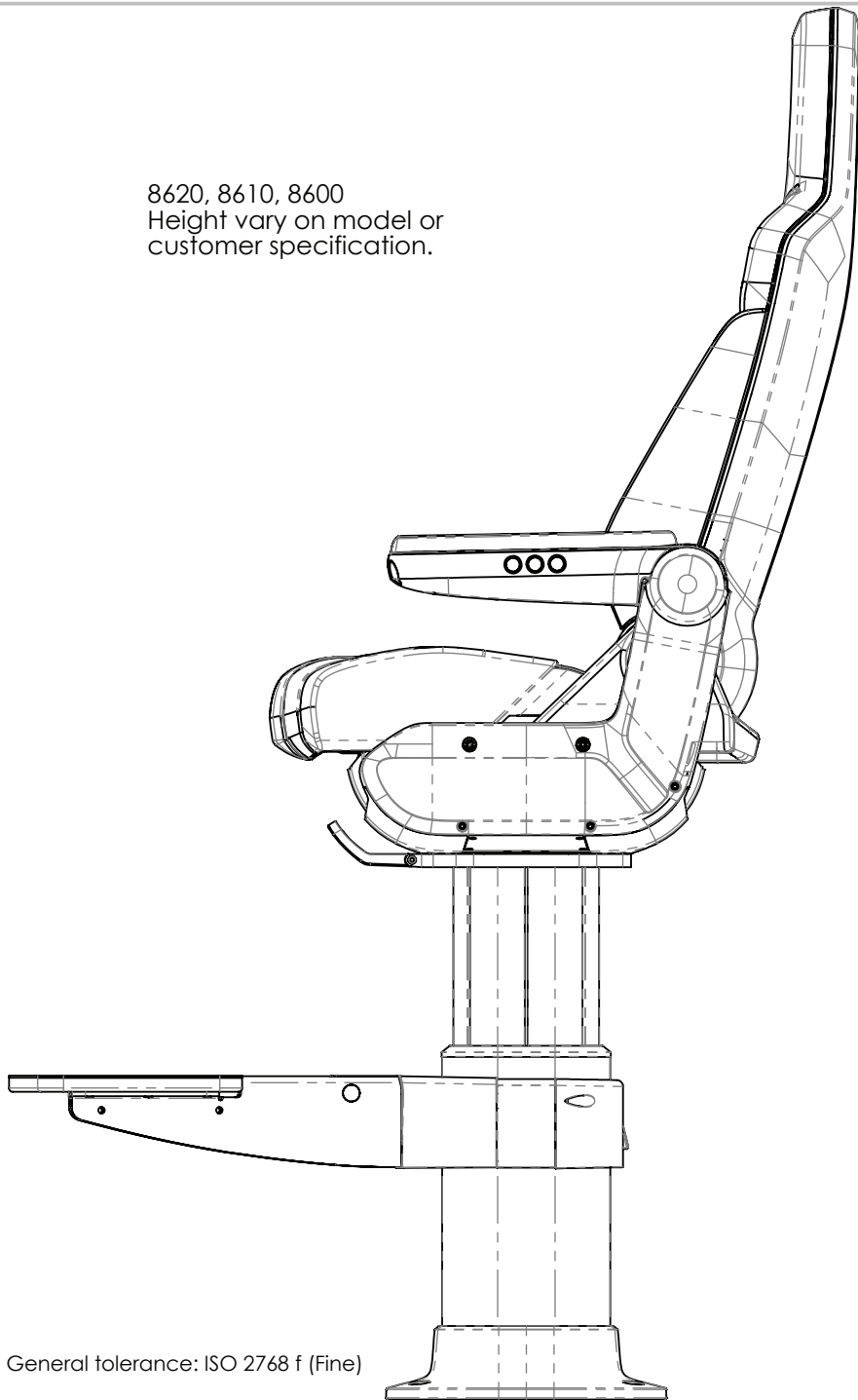



8620, 8610, 8600
 Height vary on model or
 customer specification.



General tolerance: ISO 2768 f (Fine)

REV:						Materiale:		Vekt: 133.39	
REVISION ISSUED FOR:						Date:		Author:	
Date:						EC no.		Approved:	
Author:						EC no.		Approved:	
EC no.:						Approved:		 Nor Sap Wjevarnestein 35 Tel 447 38 15 52 00 4628 Gislarsund 5 Fax 447 38 15 10 96 hirtwey www.norsap.no	
Betegnelse:						Modell til 1600 Standard S+ (86xx)			
Description:									
0	Started by		11.08.2016	thomas	Scale: 1:10		Tegningsnummer: A2247		Konfigurasjon: -
Project: PRO-193283		Spektra tekst:		Paper size: A4		Revision:			