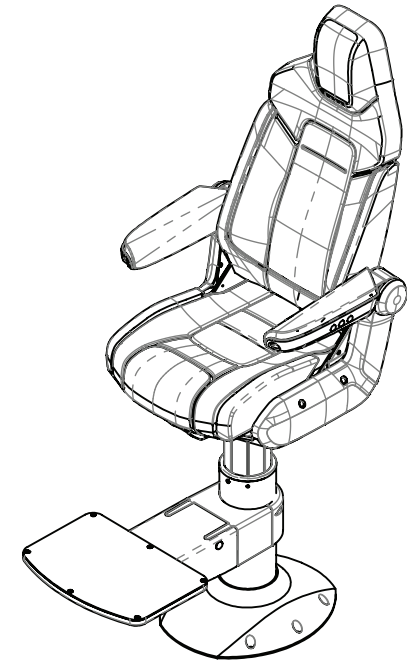
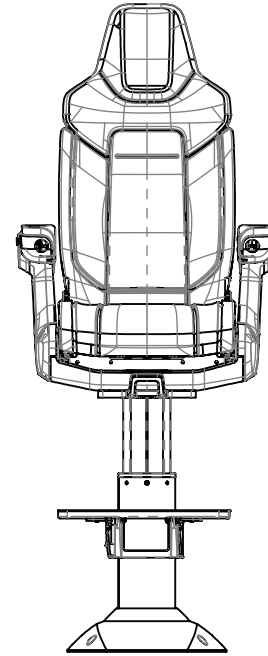
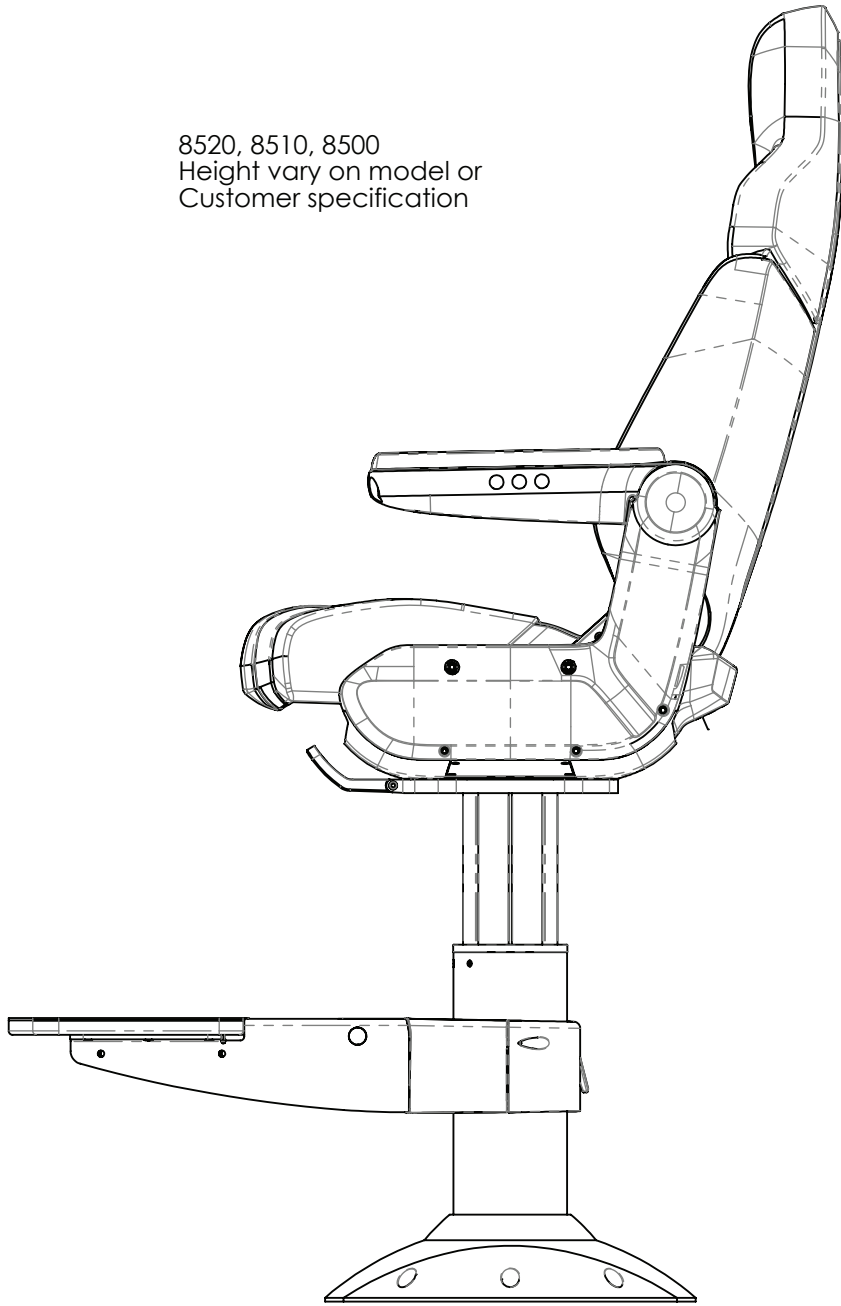



8520, 8510, 8500
 Height vary on model or
 Customer specification



General tolerance: ISO 2768 f (Fine)

REV:	REVISION ISSUED FOR:	Date:	Author:	EC no.	Approved:	Materiale:		Vekt: 113.82
0	Started by	11.08.2016	thomas			 Nor Sap Wjevanstovne 35 Tel: 447 38 15 52 00 4628 Gistarsund S Fax: 447 38 15 10 96 norway www.norsap.no	Betegnelse: Modell til 1600 Standard (85xx)	
Description:							Tegningsnummer: A2246	
Project: PRO-193283		Spektra tekst:		Scale: 1:10		Tegningsnummer: A2246		Revision:
				Paper size: A4				